

A934-001R-120

SINGLE RELAY POWER CONTROL MODULE



DESCRIPTION

The ABtUS A934-001R-120 is a single power relay control module that can be used to avoid all cumbersome issue of the power cabling during integration. It is versatile and can be placed anywhere within the room. It is a simple and efficient power controller for any electrical powered devices (example: Lighting or Power ON/OFF control.)

Replacement of conventional 1 to 1 control setup to many or 1 to many controlling as well as grouping are now made possible.

FEATURES

- Max load capacity of 1000W per module
- With standard RS-485 communication protocol, compatible with any central control for all host [standard J1708 BUS]
- With I/O connectivity for integration with any existing standard wall switch
- With delay timer Off function (delay timing 2 to 128sec)
- User friendly mode of operation setup

TECHNICAL SPECIFICATION

AC VOLTAGE RANGE: AC 100 ~ 240V

COM PORT: RS-485

I/O CONNECTIVITY: Dry Contact Control x 01

NUMBER OF ID: 32

DELAY TIME OFF: 2 ~ 128 sec

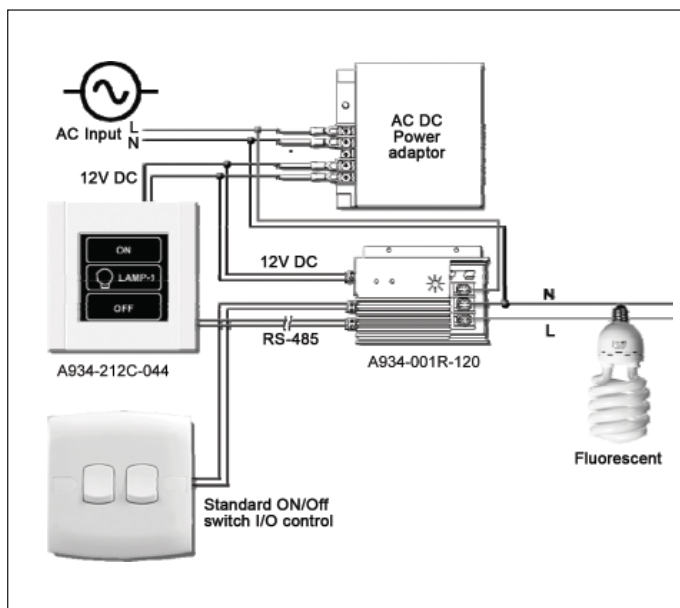
RELAY LOAD RATING: Max 16A@230V [*Recommended Max 8 x 40 Watt Fluorescent Light]

POWER SUPPLY: 12 V DC 500mA

HOUSING: Aluminum Enclosure

DIMENSIONS: 92 x 58 x 25 mm

WEIGHT: 170g



TYPICAL APPLICATIONS

Any professional control system requiring multiple lightings or environmental control.

- Schools (Media Classrooms) • Churches • Corporate Applications (Meeting Rooms)
- Home Automation • Home Theaters • Hotels In Room Control

* Specifications are subject to change without notice.

ABtUS