

# A934-3321-120

## SMART IR TRANSMITTER (WITH LEARNING FUNCTION)



### DESCRIPTION

The ABUS A934-3321-120 is a self contain Smart IR Transmitter. Apart from its learning function (with a special circuit design that makes IR carrier recognition possible), it also has a useful storage up to 32 IR codes that can be used to avoid all cumbersome issue with handling different remote controllers. It acts as a centralized IR control system, but It is also versatile and can be placed anywhere within the room.

Replacement of conventional 1 to 1 control setup to many or 1 to many controlling as well as grouping are now made possible.

### FEATURES

- Powerful IR learning, ability to learning all kinds of IR code and also simultaneously record it's carrier frequency
- Memory: record up to 32 IR code in different formats
- Software support is able to clearly identified and analysis different type IR code which then be stored or copy to another unit

### TECHNICAL SPECIFICATION

**LED INDICATION:** With LED Indication for all functions

**COMMUNICATION STANDARD:** RS-485 or RS-232

**COM PORT:** RS-485 or RS-232 Selectable

**IR OUT:** 1 x 3.5mm Mini Jack

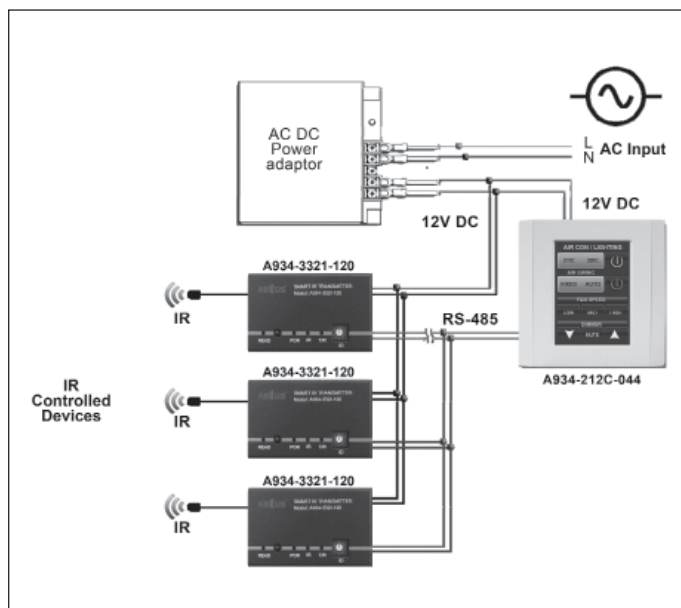
**MEMORY:** 32 IR Codes

**NUMBER OF UNIT ID AVAILABLE:** 16 ID

**HOUSING:** Metal Enclosure

**DIMENSION:** 74 X 46 X 22 mm

**WEIGHT:** 173.2g



### TYPICAL APPLICATIONS

Any professional control system that is required to control air-con, media players or any equipment that would usually requires an IR remote controller.

- Schools (Media Classrooms) • Churches • Corporate Applications (Meeting Rooms)
- Home Automation • Home Theaters • Hotels In Room Control

\* Specifications are subject to change without notice.

**ABUS**