



It's amazing! Says everyone who listens to the JK26A+.
Ultra-compact design but yet a high performance
and unmatched sound quality.

KEY FEATURES

TRANSDUCER TECHNOLOGY

Active two-way speaker system composed by two direct radiating 1.5-inch voice coil, neodymium magnet, 6" low frequency woofers and one 1-inch voice coil, titanium diaphragm, neodymium magnet tweeter front loaded in a bass-reflex tuned enclosure.

AMPLIFICATION

450 W 3rd generation Class D built-in amplifier controlled by a dedicated DSP.

90% efficiency amplifier SMPS (switching mode power supply), allowing maximum power with minimum consumption in an extremely low-weight size.

Rear connections and control aluminium connectors panel with graphic LCD screen to display the different settings, presets, volume and adjustments done by the user. A capacitive keyboard guarantees the reliability of the system even under humidity and extreme weather conditions.

Double PowerCon (input & link).

DSP & CONTROL

Internal DSP with all necessary signal processing (crossovers, EQs, delay, limiters, gain control, mute, input overload, ALC) as well as several useful presets to adjust JK26A+ to different requirements.

The on-screen output power display and the front limiter led help to easy monitor the system.

ALC (adaptive loudness compensation) to improve the listening experience when the cabinet is used at low musical levels.

DESIGN & ACCESSORIES

Several accessories allow easy flying. A 35 mm socket for mounting the loudspeaker on a speaker stand is provided at the bottom of the cabinet.

M8 rigging points.

Multilayer wooden plywood cabinet with Polyurea® coating, offering maximum reliability and strength for touring as well as for high demanding applications.



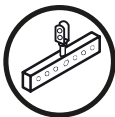
CARBON FIBER CONE



LIGHT NEODYMIUM COMPONENTS



MULTIPLE PRESETS AVAILABLE



ACCESSORIES FOR EASY INSTALLATIONS



HIGH RESISTANT POLYUREA® PAINT

TECHNICAL FEATURES

Amplifier (program power)	400 W (LF) + 50 W (HF) – Class D Bi-amplified
Input sensitivity	8 dBu – 1.94 V
Input Impedance	20 kΩ Balanced
Maximum input level	20 dBu
Mains	Universal Switch Mode Power Supply 85-265 V/45-65 Hz
Average current draw	0.6 A (Heavy duty musical program)
SPL (1 m)	121 dB continuous, 124 dB peak
Built-in DSP	48 bit (including several factory presets)
AD/DA converters	24 bit – 48 kHz
Standby mode consumption	< 5 W
Adjustable Delay line	118 ms / 40 m
Crossover frequency	3 kHz
Frequency response (-10 dB)	58 Hz – 20 kHz
Components	LF-MF HF
	2x 6" neodymium woofers with carbon fiber cone (1.5" voice coil) 1" titanium diaphragm neodymium tweeter
Directivity (HxV)	90° x 90°
Directivity factor (Q)	12.6
Directivity index (DI)	11 dB
Weight	9.5 kg
Dimensions (HxWxD)	532 x 250 x 260 mm
Finish	Multilayer plywood with high resistant black Polyurea® coating
Grille	1.5 mm steel with foam
Rigging	M8 points
Connectors	1x XLR input / 1x XLR link / 1x AC PowerCon input / 1x AC PowerCon link
Colours available	Black and white



TOP VIEW



BOTTOM VIEW



SIDE VIEW



REAR VIEW

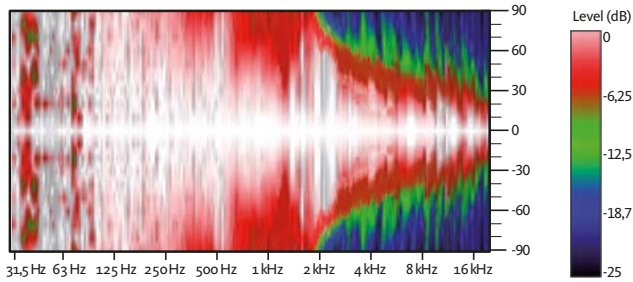


REAR VIEW

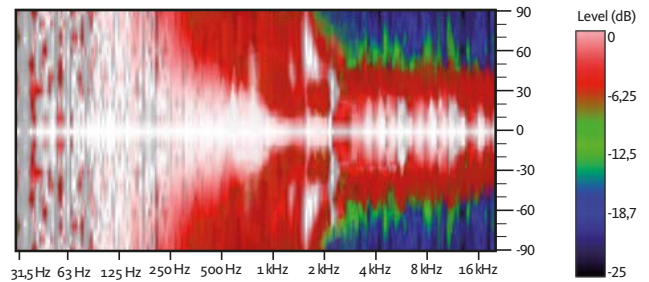


CONNECTION PANEL

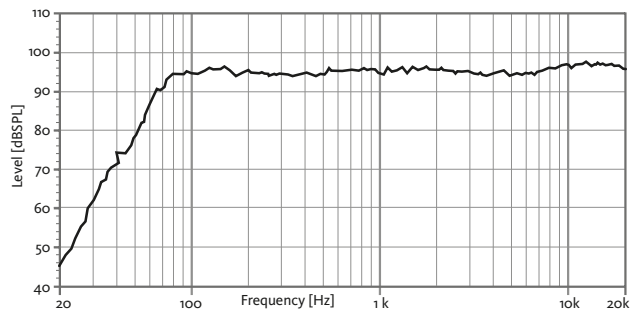
HORIZONTAL COVERAGE



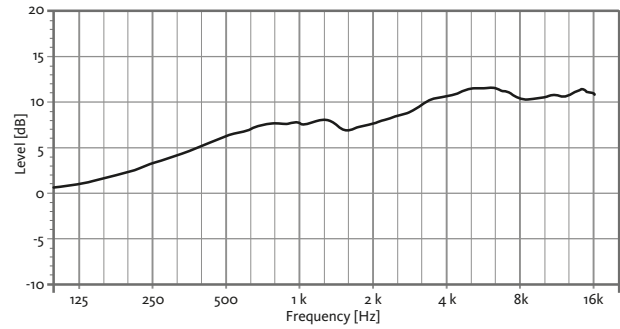
VERTICAL COVERAGE



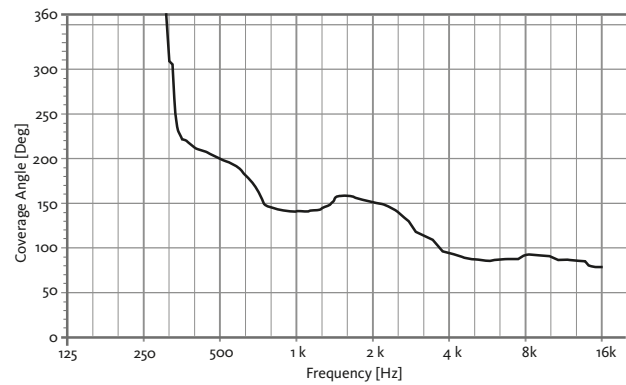
FREQUENCY RESPONSE 1W/1m (FLAT PRESET)



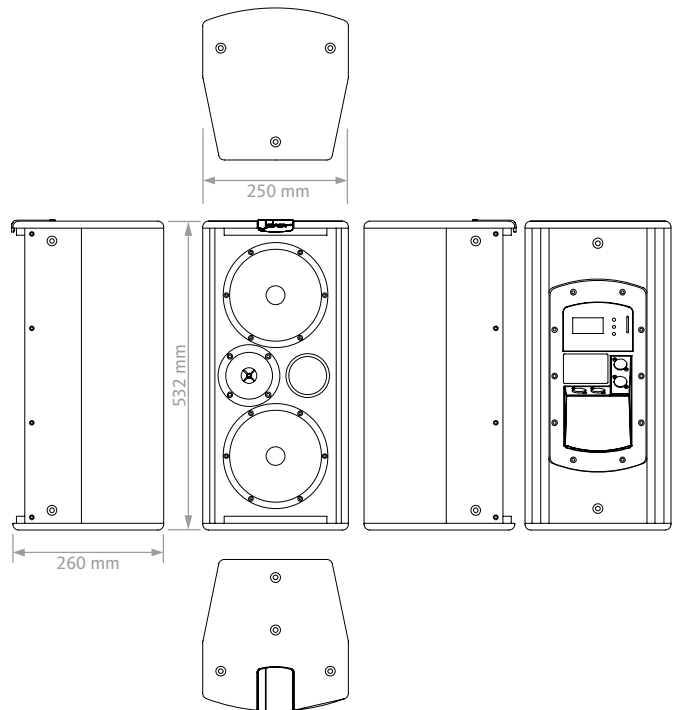
DIRECTIVITY INDEX (DI)



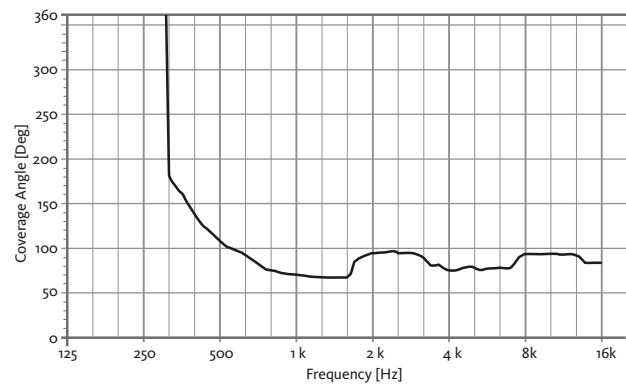
HORIZONTAL BEAMWIDTH (-6dB point)



CAD DRAWING SCHEME



VERTICAL BEAMWIDTH (-6dB point)



PRESETS

FLAT

Flat response

NEARFIELD

-3 dB mid frequencies
(800 Hz - 3 kHz)

NEARFIELD+

-3 dB mid frequencies
(200 Hz - 3 kHz)

SPEECH

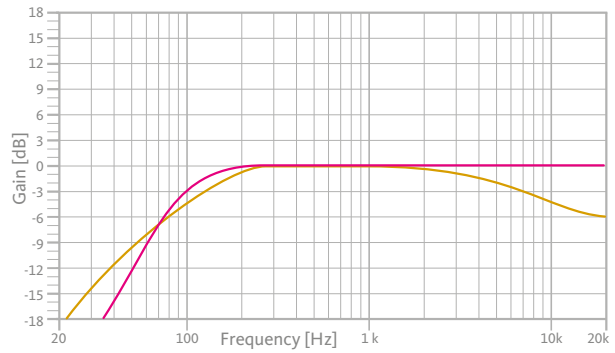
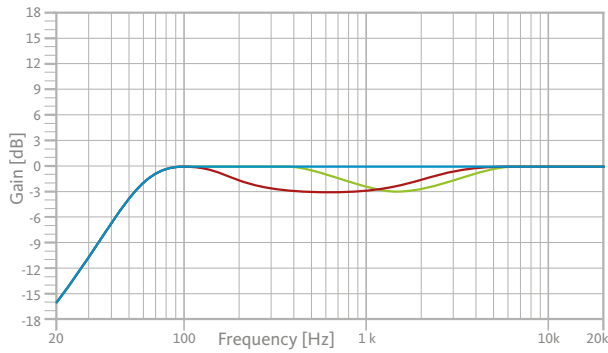
-6 dB low / -6 dB high

XO ALL

HPF 100 Hz
+ no delay

XO POLE

HPF 100 Hz
+ fixed delay



ACCESSORIES

FLIGHT CASE

FC-JK26 for two units of JK26A+



PROTECTIVE COVER

NC-JK26



ADJUSTABLE WALL STAND

SP-35



WALL MOUNT BRACKET

UB-L



FLYING BAR

HR-26



HOOK FOR FLYING BAR

GT-50HR



M8 EYEBOLT RIGGING

ACR-M8



SAFETY SLING

SC-15



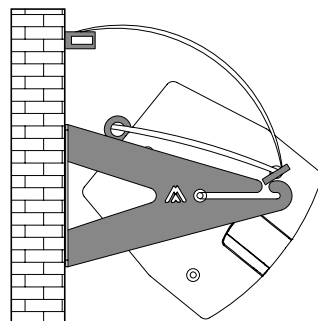
TELESCOPIC DISTANCE ROD

SP/CRTL



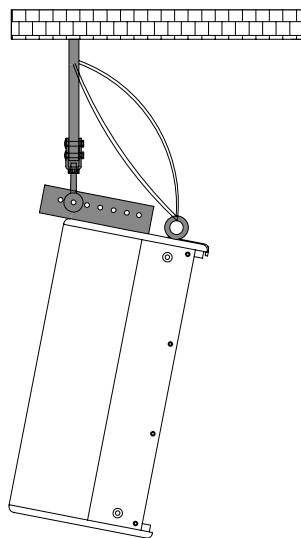
HORIZONTAL WALL-MOUNT

UB-L + SC-15



VERTICAL COLUMN-MOUNT

HR-26 + SC-15



VERTICAL TRUSS-MOUNT

HR-26 + GT-50HR + SC-15

