



A compact but powerful subwoofer, the X18D is the ideal choice when there is a limited space available. Excellent low frequency response at its size.

## KEY FEATURES

### TRANSDUCER TECHNOLOGY

Passive subwoofer composed by one 4-inch voice coil, neodymium magnet, last generation 18" loudspeaker front loaded in a bass-reflex tuned enclosure with laminar ports.

### POWER

3200 W continuous power in musical program.

### READY FOR THE CLUB... AND BEYOND

Xcellence DISCO series has been carefully designed to deliver a high sound pressure level while keeping a TOP audio quality. A compact design, but yet with great power handling loudspeakers, makes it suitable for all kind of clubs or other venues requiring high performance passive systems.

### DESIGN & ACCESSORIES

Unique design in black & grey colour.

Connectors are placed on an inclined plane to increase protection against rain or moisture.

Several accessories allow easy flying. M20 plate socket provided at the top side for full-range enclosure coupling.

Ergonomic handles for an easy handling.

Baltic birch plywood wooden cabinet with Polyurea® coating, offering maximum reliability and strength for high demanding applications.

### LONG-TERM RELIABILITY

We have invested in, and applied, the very best knowledge, materials and technology to deliver the ultimate product. Every detail has been considered, featuring the new steel grille with custom punch hole, smart accessories for a trouble-free installation, and the new double-colour Polyurea® coating, not only do they contribute to an extraordinary look, they also look forward high protection and resilience.

# X18D

**3200 W**  
1x 18" PASSIVE  
SUBWOOFER

*Xcellence*



UNIQUE DESIGN



LIGHT NEODYMIUM COMPONENTS



HIGH RESISTANT POLYUREA® PAINT



BEST FOR REDUCED SPACES



ACCESSORIES FOR EASY INSTALLATIONS



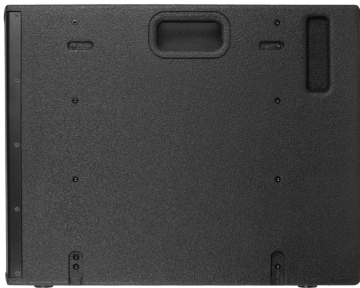
CARDIOID PRESETS AVAILABLE with external Amate Audio amplifier & DSP



MULTIPLE PRESETS AVAILABLE with external Amate Audio amplifier & DSP

**TECHNICAL FEATURES**

Power (musical program)	3200 W
Power (AES)	1600 W
Nominal impedance	4 Ω
Crossover frequency (recommended)	80 Hz / 90 Hz / 100 Hz / 110 Hz / 120 Hz
Frequency range (-10 dB)	32 Hz – 150 Hz (with external DSP)
Directivity (HxV)	Omnidirectional
Directivity factor (Q)	1
Directivity Index (DI)	0 dB
SPL (1W/1m)	98 dB
Maximum SPL (continuous/1 m)	134 dB
Maximum SPL (peak/ 1m)	137 dB
Components LF	18" neodymium woofer (4" voice coil)
Weight	40.9 kg
Dimensions (HxWxD)	540 x 664 x 700 mm
Finish	Multilayer baltic birch plywood with high resistant black & grey Polyurea® coating
Grille	1.5 mm steel
Rigging	M6 points (for KR-18T rigging kit)
Input connectors	2x NL4MPR Neutrik® Speakon



SIDE VIEW



FRONTAL VIEW WITHOUT GRILLE



REAR VIEW



BOTTOM VIEW

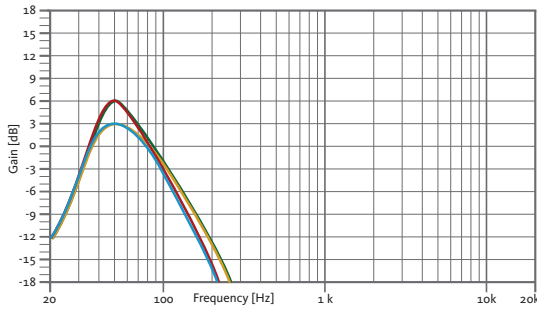


TOP VIEW

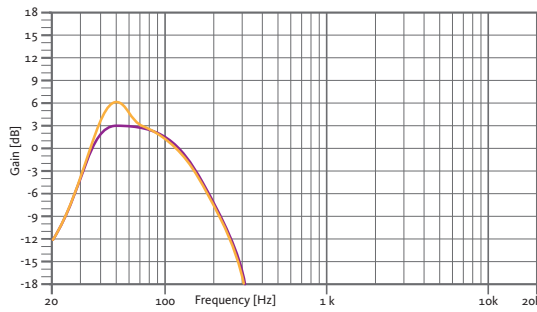
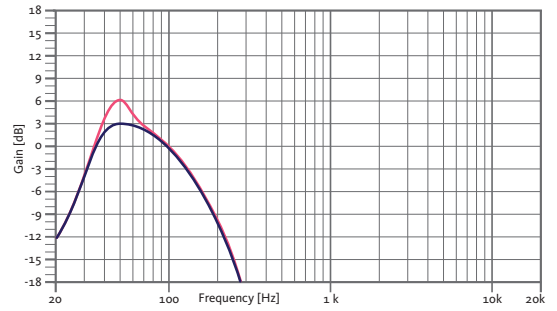


CONNECTION PANEL

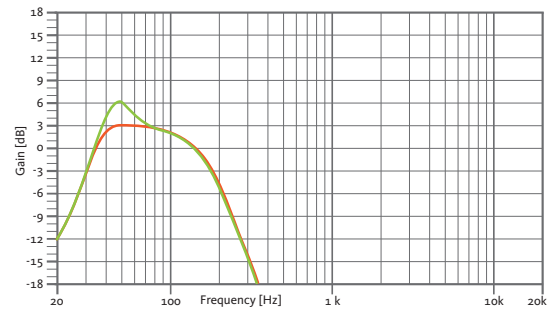
**RECOMMENDED PRESETS** With external Amate Audio DSP



- LPF80+3**  
LPF 80 Hz + 3dB boost
- LPF80+6**  
LPF 80 Hz + 6dB boost
- LPF90+3**  
LPF 90 Hz + 3dB boost
- LPF90+6**  
LPF 90 Hz + 6dB boost
- LPF100+3**  
LPF 100 Hz + 3dB boost
- LPF100+6**  
LPF 100 Hz + 6dB boost

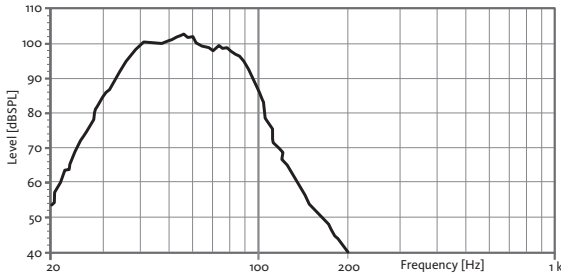


- LPF110+3**  
LPF 110 Hz + 3dB boost
- LPF110+6**  
LPF 110 Hz + 6dB boost
- LPF120+3**  
LPF 120 Hz + 3dB boost
- LPF120+6**  
LPF 120 Hz + 6dB boost

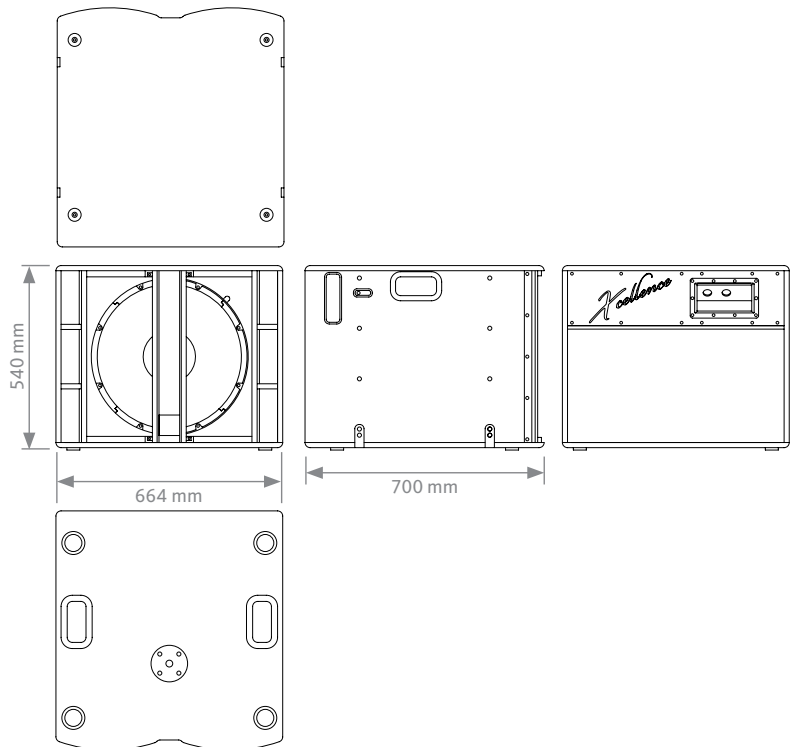


**FREQUENCY RESPONSE 1w/1m**

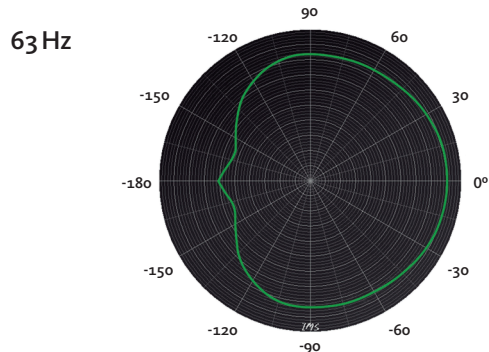
With external Amate Audio DSP & HD4000 Amplifier



**CAD DRAWING SCHEME**



**CARDIOID CONFIGURATION THROUGH AVAILABLE PRESETS**



# X18D

**3200 W**  
1x 18" PASSIVE  
SUBWOOFER

*Xcellence*

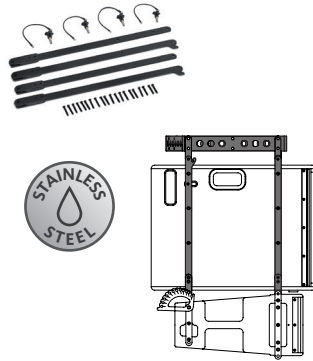


**ACCESSORIES**

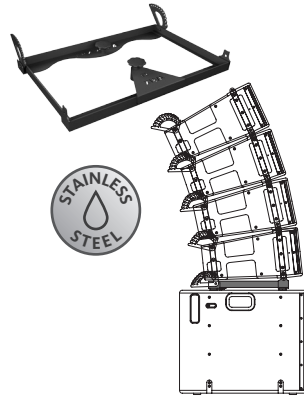
**TOURING BUMPER TA-X208R**  
For flying X18D



**FLYING HARDWARE KR-18T**  
For flying X18D



**STACKING FRAME FR-X18**  
For X18D underneath X208

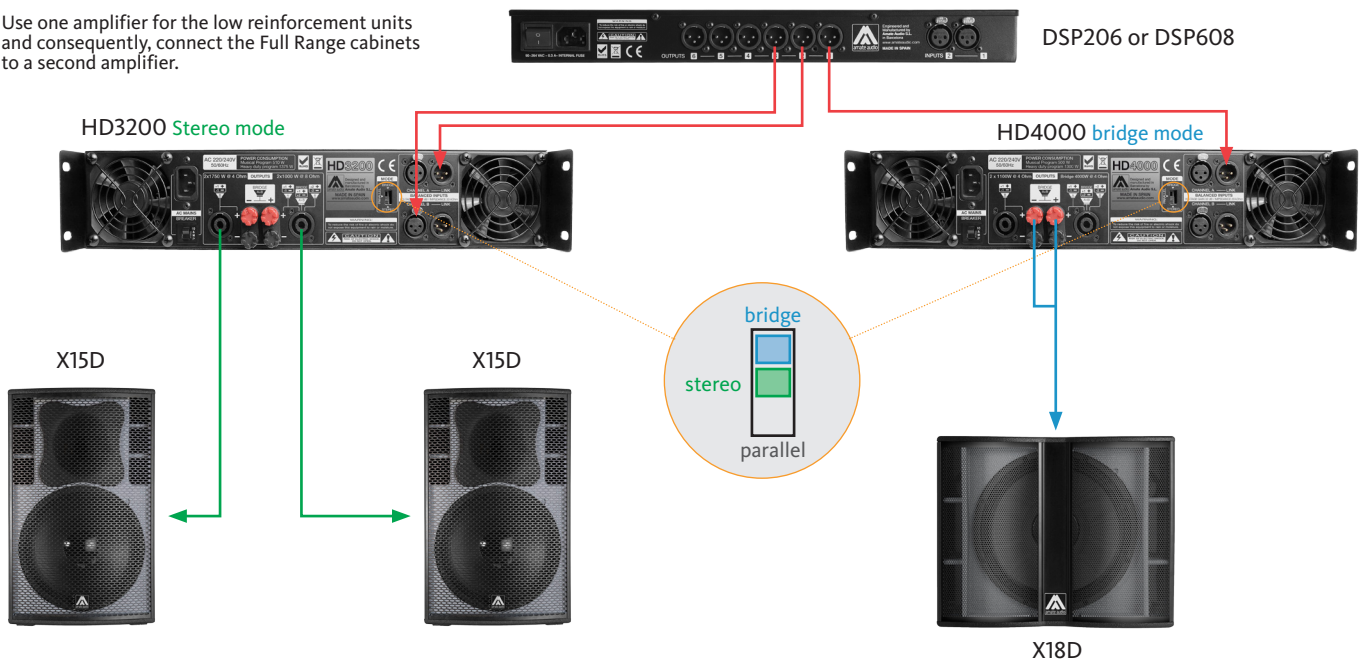


**DISTANCE ROD M20 SP-CRTL**  
Ø: 35 mm Length: 55 cm ~ 90 cm  
Thread: M20



**RECOMMENDED CONFIGURATION**

Use one amplifier for the low reinforcement units and consequently, connect the Full Range cabinets to a second amplifier.



**THE BEST COMBINATION**

The best experience of Xcellence DISCO systems is reached with Amate Audio's HD Series amplifiers and DSP206/608 digital signal processors. Factory presets are available to setup the system in a short time.



**HD Series** – high dynamic professional power amplifiers



**DSP Series** – digital loudspeakers management system