

VOLUME CONTROLS

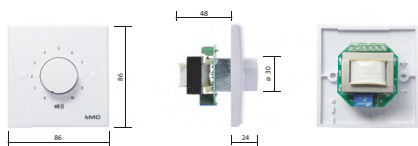
# VC Flush Mount Volume Controls

VC volume controls designed for European style flush-mount boxes.

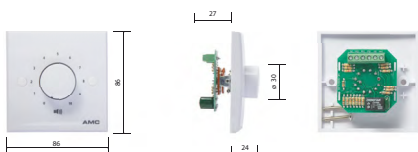
# VC 5R, VC 30R & VC 60R

VC volume controls are designed for use in background music and voice evacuation systems, where local sound level control is required. Equipped with 10-step attenuation. Built-in 24V internal emergency relay with internal switch, so volume controls can be used in passive or active mode. Available for 5W, 30W and 60W power speaker line control.

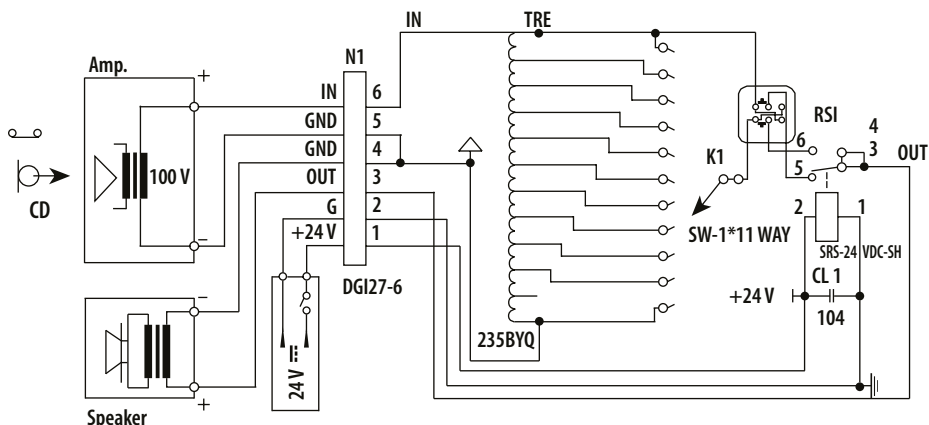
## VC 30R & 60R



## VC 5R



| Technical Specifications | VC 5R         | VC 30R      | VC 60R  |
|--------------------------|---------------|-------------|---------|
| Input                    | 5W            | 30W         | 60W     |
| Steps                    | 10 + OFF      |             |         |
| Dimensions               | 86 mm x 86 mm |             |         |
| Material                 | Plastic       |             |         |
| Switch modality          | DC 24V/6 Wire |             |         |
| Modality                 | Resistor      | Transformer |         |
| Weight                   | 0,08 kg       | 0,16 kg     | 0,18 kg |
| Emergency relay          | DC 24V        |             |         |



Active mode: Volume control will be fully opened and set to the maximum level until 24V DC is supplied. After DC powering, volume control will come in to operation.  
 Passive mode: Volume control will be active before 24V DC will not be supplied. When DC is powered, Volume control will not be active and volume will be set to maximum level.