

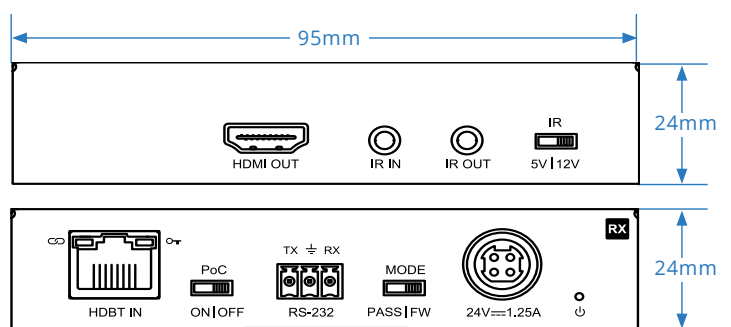
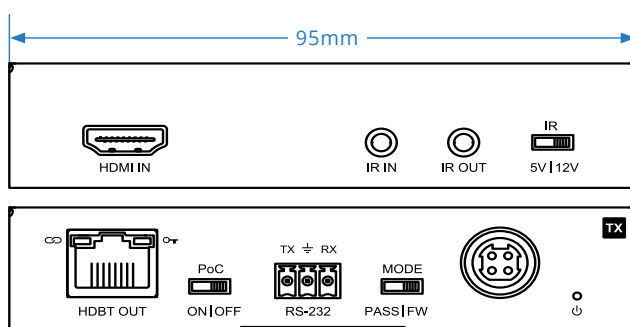
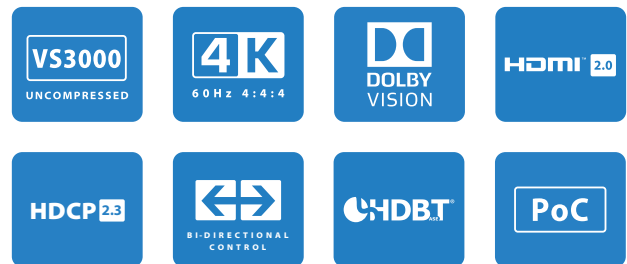
## Uncompressed 18Gbps HDMI Over HDBaseT™ Set

### Description

The HEX18G-KIT extender set is an industry leading uncompressed, unconverted HDMI 2.0 4K 60Hz 4:4:4 HDCP 2.3/2.2 solution utilising the latest in HDBaseT™ technology.

The HEX18G-KIT supports uncompressed distribution of the latest HDR resolutions including HDR10/10+ and Dolby Vision resulting in the ultimate in picture quality for your critical viewing areas.

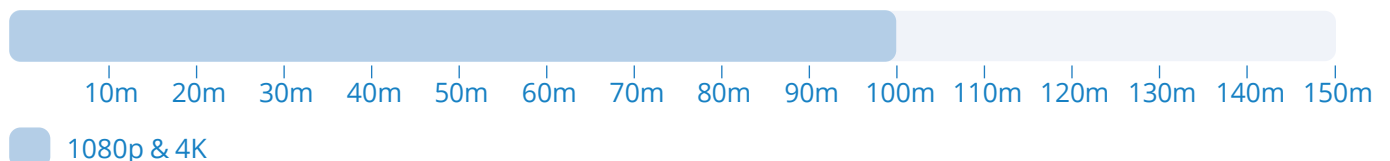
The HEX18G-KIT supports bi-directional IR, RS-232 and PoC up to lengths of 100m over a single CAT6A cable.



### Key Features

- Advanced uncompressed, unconverted, HDMI over HDBaseT™ technology offering distribution of bit for bit 4K HDMI video and audio over a single CAT6A cable
- Supports HDMI 2.0 18Gbps specification including 4K 60Hz 4:4:4 UHD video
- Supports uncompressed distribution of the latest HDR resolutions including HDR10/10+ and Dolby Vision
- Supports HDMI video distribution up to 100m\*
- Supports all industry standard video resolutions including VGA-WUXGA and 480i-4K
- HDMI re-clocking on the HDBaseT™ Receiver to help solve HDMI HDCP, compatibility and handshaking issues
- Supports all known HDMI audio formats including Dolby Atmos, Dolby TrueHD, Dolby Digital Plus and DTS-HD Master Audio transmission
- Bi-directional IR & RS-232 pass through
- Supplied with Blustream IR receiver and emitter
- Bi-directional PoC (Power over Cable) to power extenders from either transmitter or receiver end
- Support for HDCP 2.3, HDCP 2.2 and HDCP 1.4
- \*Transmission distance is subject to video format, cable type and installation environment. It is recommended to use a minimum of CAT6A cabling

### Transmission Distance CAT6A \*



\* Transmission distance is subject to video format, cable type and installation environment. It is recommended to use a minimum of F/UTP CAT6A cabling.



## HEX18G-TX Connectivity

- Video Input Connectors: 1x HDMI Type A, female
- Video Output Connectors: 1x HDBase™ RJ45 connector
- IR Input ports: 1x 3.5mm stereo jack
- IR Output ports: 1x 3.5mm mono jack
- RS-232 serial port: 1x 3-pin Phoenix connector
- Power Supply: 1x 24V/1.25A DC

## HEX18G-RX Connectivity

- Video Input Connectors: 1x HDBase™ RJ45 connector
- Video Output Connectors: 1x HDMI Type A, female
- IR Input ports: 1x 3.5mm stereo jack
- IR Output ports: 1x 3.5mm mono jack
- RS-232 serial port: 1x 3-pin Phoenix connector
- Power Supply: 1x 24V/1.25A DC

## Specifications

- Casing Dimensions (W x D x H): 95mm x 116mm x 24mm (TX and RX),
- Shipping Weight (Kit): 1.5kg TBC
- Operating Temperature: 32°F to 104°F (0°C to 40°C)
- Storage Temperature : -4°F to 140°F (-20°C to 60°C)
- Mounting kits included
- Power Supply: 1x 24V/1.25A DC

## Included Accessories

Mounting	4 x Brackets
IR Accessories	1 x IRR, 1 x IR1
Power Supply	1 x 24V/1.25A DC

## Regulatory Compliance



Blustream cannot be held responsible for errors in typography or photography. Specifications are subject to change without notice.