

PT-VGA0404-A VGA Matrix Switchers CREATOR Pt Series

- ◆ Support to be remotely controlled by PC via Ethernet
- ◆ Available in 4x4 sizes
- ◆ Supported signal types: RGBHV, RGBS, RGsB, RsGsBs
- ◆ Rs485 extended control keyboard supported
- ◆ Both simultaneous and separate switching of Audio and Video inputs supported
- ◆ Channels switching authorization supported
- ◆ High-bandwidth processing, up to 350MHz @-3dB (fully loaded)
- ◆ Maximally 8 users supported for simultaneous remote control by PC via Ethernet
- ◆ Aluminum alloy chassis with illuminating crystal buttons for much more convenient operation
- ◆ Precise PCB design
- ◆ Double COM interface
- ◆ TDK power supply
- ◆ Filter power supply interface



CREATOR PT-VGA0404-A Matrix Switcher is a high performance professional signal matrix-switching equipment with built-in intelligent control mechanism, enabling synchronous and asynchronous matrix switching each way of inputted signal to any outputs.

Unique advanced technology has been applied to highly enhance the switching speed. And multi-type of controlling and management supported: crystal panel buttons, RS-485 keyboard, etc. The standard RS232 and Ethernet communication protocols are also supported to be controlled and managed by remote controlling device and other non-CREATOR branded control systems.

The matrix switchers can be used vastly in Broadcasting Projects, Multi-media Conference Hall, Digital Signage, Remote Education System, and Central Control Centers, etc.

VGA matrix switchers features

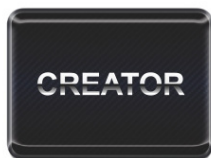
- ◆ Quick Switch function supported;
- ◆ Programmable Logic Array Circuit applied to support free inter-switching;
- ◆ Both simultaneous and separate switching for audio and video supported;
- ◆ Channels Switching Authorization: separate authorization for audio and video signal switching supported;
- ◆ Stereo Audio Supported(balanced and unbalanced connection);
- ◆ Separate Volume Control for each output supported;
- ◆ Power-off Memorizing Function supported: can memorize all the current settings right before sudden power-off;
- ◆ Illuminating crystal panel buttons and RS485 external keyboard control supported;
- ◆ 2 RS232 Ports;
- ◆ 1 Ethernet port, supporting Ethernet remote control by 8 users simultaneously;
- ◆ Built-in universal power supply;
- ◆ CREATOR Unique efficient management software supported;

- ◆ **MCP100 Control Keyboard ;**
RS-485 extended keyboard;



- ◆ **CREATOR control and management software;**
Matrix Control Program is the specially designed management software for CREATOR matrix switchers, which realize highly efficient and accurate management operations.

Top 10 advantages of the Pt Matrix Switchers



• Silver Logo



• Aluminum Alloy Chassis



• Control Keyboard



• Precise PCB Design



• TDK Power Supply



• Illuminating button



• Double COM Interface



• KEYBOARD Interface



• ETHERNET Interface

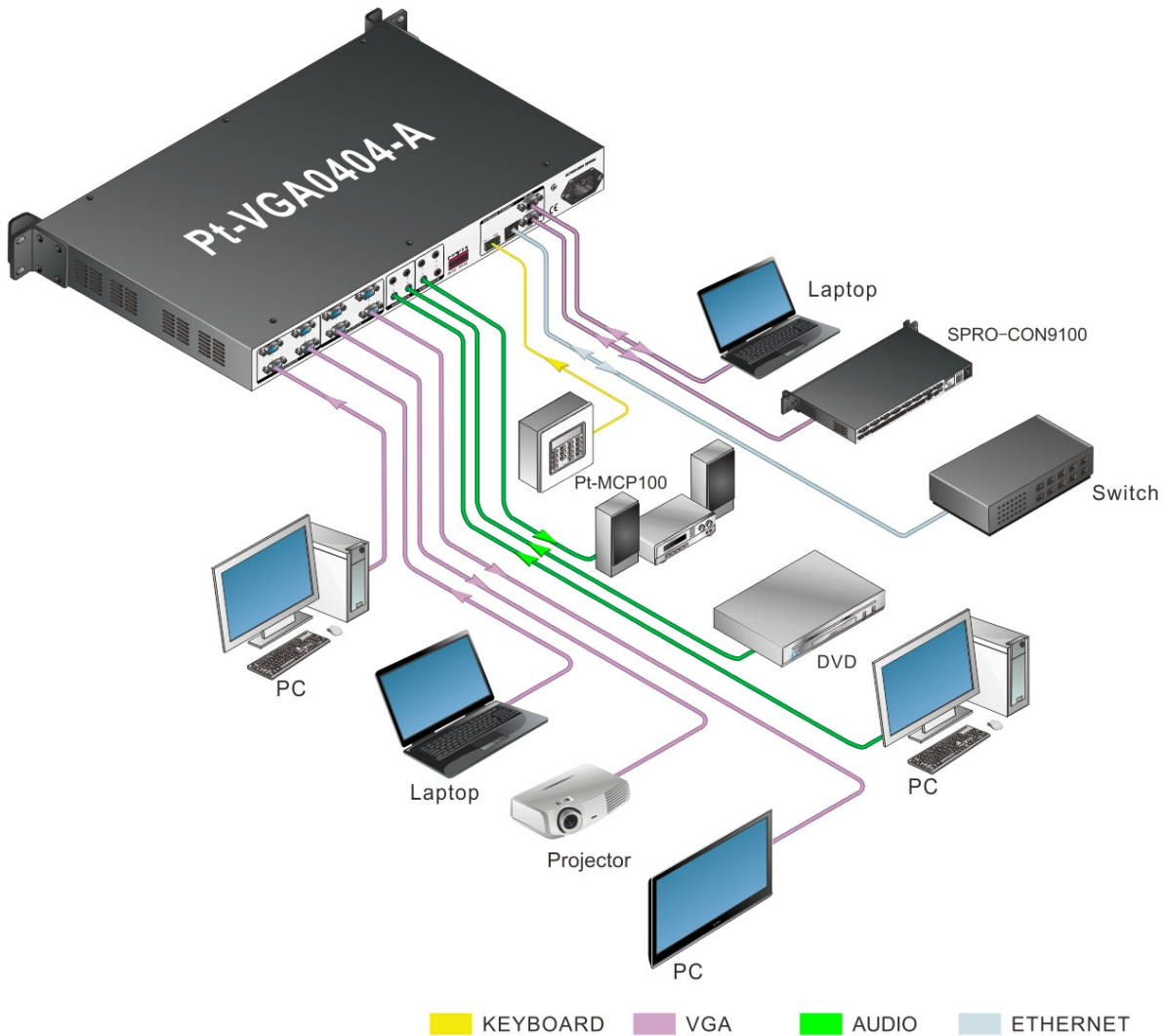


• Filter Power Supply Interface

PRODUCT MODEL	Pt-VGA0404-A
VIDEO	
Gain	0 dB
Bandwidth	350MHz (-3dB)full load
Multi-channel totaltalk to one channel	-60dB @10 MHz, -39dB @ 100 MHZ
Switching speed	200 ns(Max.)
Signal type	RGBHV, RGBS, RGsB,RsGsBs, (HDTV),Component video,S-video,(CVBS)Composite video
VIDEO INPUT	
Port	15-pin HD
Min/Max Level	Analog signals: 0.5V p-p/ 2.0V p-p
Impedance	75 Ω
Return loss	<-40dB@5MHz
Signal strength	Composite Video and the Y-Signal of the S-Video: 1V p-p; VGA:0.7V p-p; R-Y & B-Y of the Component Video: 0.3V p-p
Frequency Response	Horizontal:15 kHz ~ 145 kHz; Vertical:30 Hz ~ 170 Hz
Max.DC bias	15mV
VIDEO OUTPUT	
Port	15-pin HD
Min/Max Level	Analog signals: 0.5V p-p/ 2.0V p-p
Impedance	75 Ω
Return loss	<-40dB@5MHz
Max.DC bias	±5mV(max)
SYNCHRONOUS SIGNAL	
I/O type	RGBHV, RGBS, RGsB, RsGsBs, composite video, component video
Video System	NTSC 3.58,NTSC 4.43,PAL,SECAM
Input/Output Level	Input:0.5V- 5.0V p-p,: 4.0V p-p ;Output: AGC-TTL 5Vp-p, unterminated
Input/Output impedance	Input:510 Ω or 75Ω optional; Output:75 Ω
Max.transmission delay	Horizontal:90ns vertical:160ns
Max rise/fall time	4ns
Polarity	Positive or negative (the same as input)
AUDIO SIGNAL	
Input /Output port	4 3.5mm audio jack
Gain	0dB
Frequency response	20 Hz ~ 20 kHz
THD + Noise	0.05% @ 1 kHz (under rating voltage)
Signal to noise ratio(S/N)	>90dB
Stereo separation	>80dB @ 1 kHz
CMRR	>75dB @: 20 Hz ~ 20 kHz Vertical interval
Signal type	Stereo Stereo, balanced or unbalanced connection
Impedance	Input:>10 kΩ,Output:50Ω Input:>10 kΩ (balanced /unbalanced connection), Output:50Ω(with unbalanced connection),100Ω(balanced connection)
Max. input/output level	+19.5dBu +19.5dBu(balanced /unbalanced connection)
Gain error	±0.1dB @20 Hz ~ 20 kHz
RS-232 PORT	
Serial port	RS-232 9-pin female D-type port
Baud rate and protocol baud rate	9600, Data bits:8bit, Stop bit:1, Non-parity check bit
Structure of serial port	2 = TX, 3 = RX, 5 = GND
KEYBOARD CONTROL PORT	
Port	4-pin phoenix jack
Use method	Along with extended keyboard MCP100
Structure of Keyboard port	+5V=DC5V , + = DATA+ , -=DATA- , GND = Grand
ETHERNET CONTROL PORT	
Ethernet port	RJ-45 Female port
Ethernet control protocol	TCP/IP
Ethernet control rate	Self-adaptive 10M or 100M, full duplex or half duplex
GENERAL	
Power	100VAC ~ 240VAC, 50/60 Hz International self-adaptive power
Storage temp . temp in use	-20° ~ +70°C
Storage humidity, humidity in use	10% ~ 90%
Weight	2kg approx.
Dimensions	430mmX264mmX43.6mm
Ave. failure interval	30,000 h

Specification are subject to change without notice.

Sample Diagram



Sample Panel Drawings

