

TRE-1001

Features

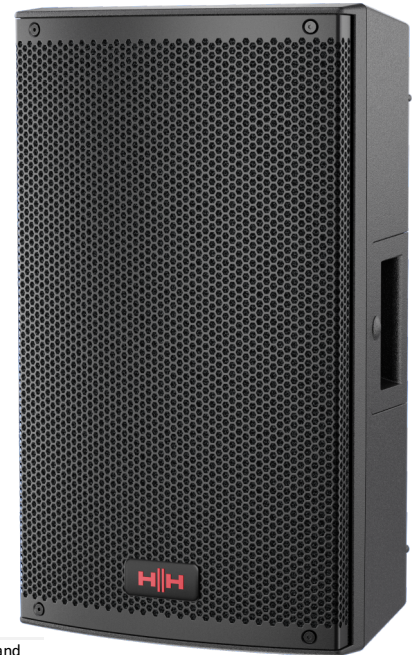
- 10-inch High Power Driver
- 1-inch High Frequency Compression Driver
- 90° x 60° Coverage
- High quality, lightweight cabinet design for easy transport, set up and installation
- Multi purpose cabinet design, Pole-mountable, wedge monitor, bracket installation or flown application with integral suspension points

CONTROL PANEL



Applications

- Bars And Clubs
- Live Sound Reinforcement
- Ballrooms
- Conference / Speech
- Worship
- Corporate AV events



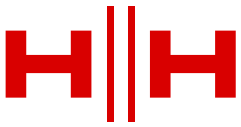
Description	The Tensor TRE-1001 10-inch active loudspeaker enclosure offers 1400W of Class D power output and an impressive SPL of 129dB. Featuring dual 1/4" & XLR Mic/line input channels with individual gain controls, on-board DSP with 4 audio modes, master volume control, mix output, ground switch and illuminating logo. The TRE-1001 is easily transportable with its 3 carry handles and weighing only 11.6kg/25.6lbs. The TRE-1001 can also be suspended using the integrated fly points.
Specifications	
Model	TRE-1001
System type	2 way active 10" loudspeaker, Bass reflex
Power Rating	1400W Peak, 700W Continuous
Frequency response	48Hz-20KHz
Max SPL (1M) (Peak)	129 dB SPL
Speaker	
LF Driver	10" HH designed professional low mid driver featuring imported glass reinforced cone
HF Driver	1" Compression Driver
Coverage	90°H X 60°V
Crossover Frequency	2.5KHz
Features	
Input Connectors	2x Balanced Combi XLR/1/4" Jack connectors
Output Connectors	1x Balanced XLR Mix Output
Indicators	Power, Clip Indicator, EQ Mode, Front illuminated logo
EQ	User selectable performance presets for Music, Live, Monitor, Vocal
DSP	Crossover, EQ, Dual Band Limiters, Phase and Time Optimisation
Protection	Comprehensive protection and clip free limiting + clip indicator
Controls	2x channel gain, Master Volume, logo on/off, Ground Lift, EQ Mode
AC Power	User Switchable 100-120V~ or 220-240V~ 50/60HZ
AC Power Consumption	300W Typical
Enclosure	
Cabinet	Robust polypropylene cabinet with two handles and monitor angle
Finish	Black
Grille	Heavy Gauge powder-coated steel, Black with acoustic foam backing
Other	35mm Distance Pole Socket
Flying points	4 x M8 Mounting Points
Unit dimensions (HWD)	530 x 300 x 310 mm 20.9" x 11.8" x 12.2"
Unit weight	11.6Kg, 25.6 lbs
Carton dimensions (HWD)	61.5 x 390 x 385 mm 2.4" x 15.4" x 15.2" (Shipping Volume 0.01 M3)
Packed weight	13.6Kg, 30 lbs
EAN13 Code	5060109457551



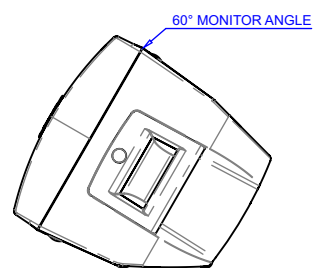
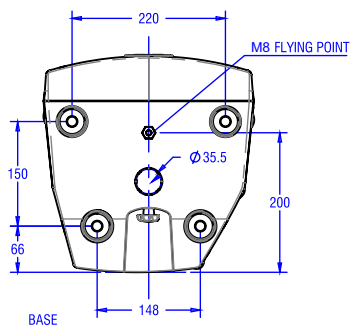
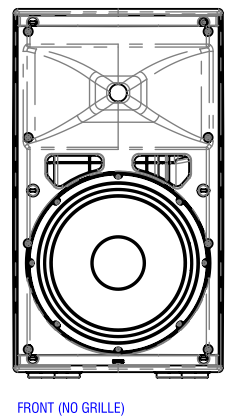
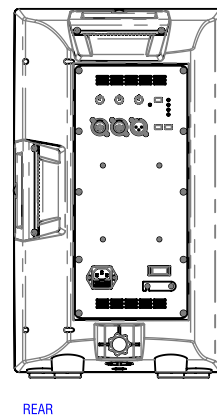
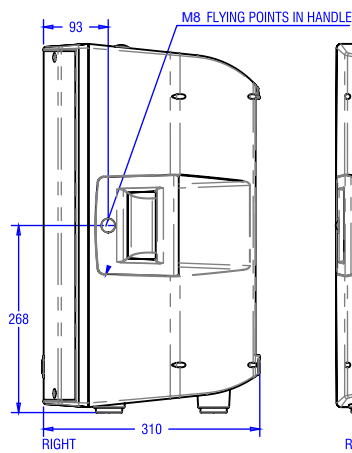
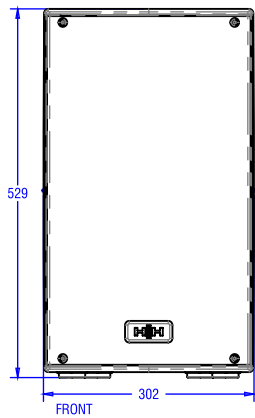
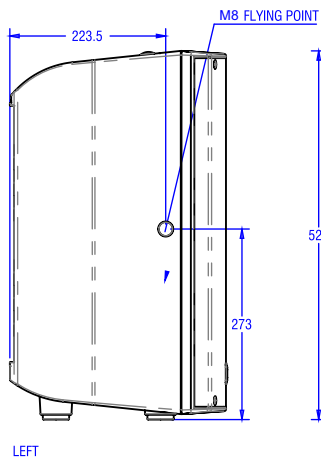
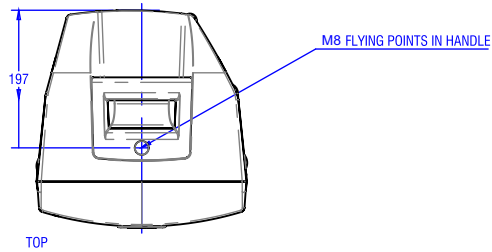
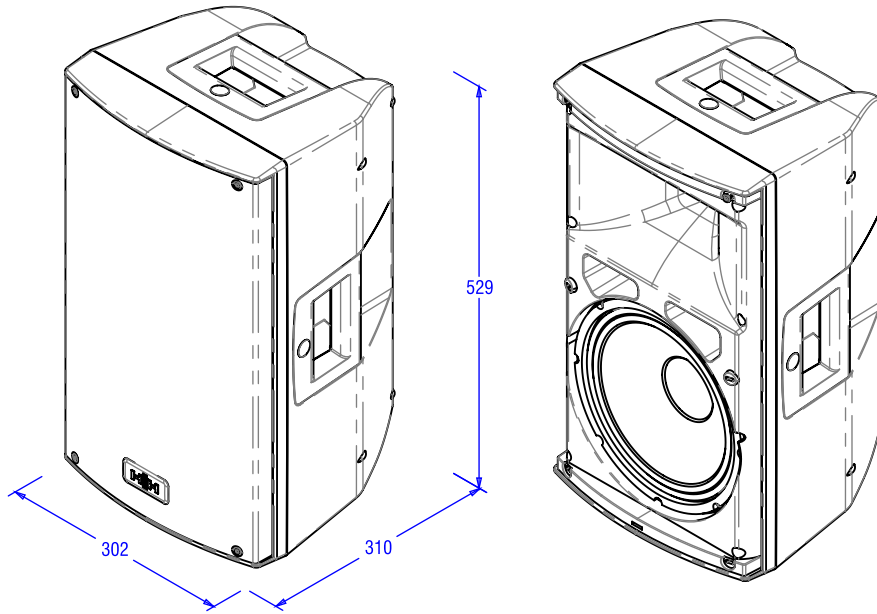
For polar plots, EASE modelling files, 2D and 3D drawings files, please check www.hhelectronics.com

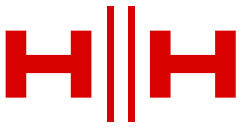
1 Measured in Full space (4ft) conditions
 2 Calculated maximum SPL based on rated power handling
 3 AES standard, pink noise with 6 dB crest factor, free air.



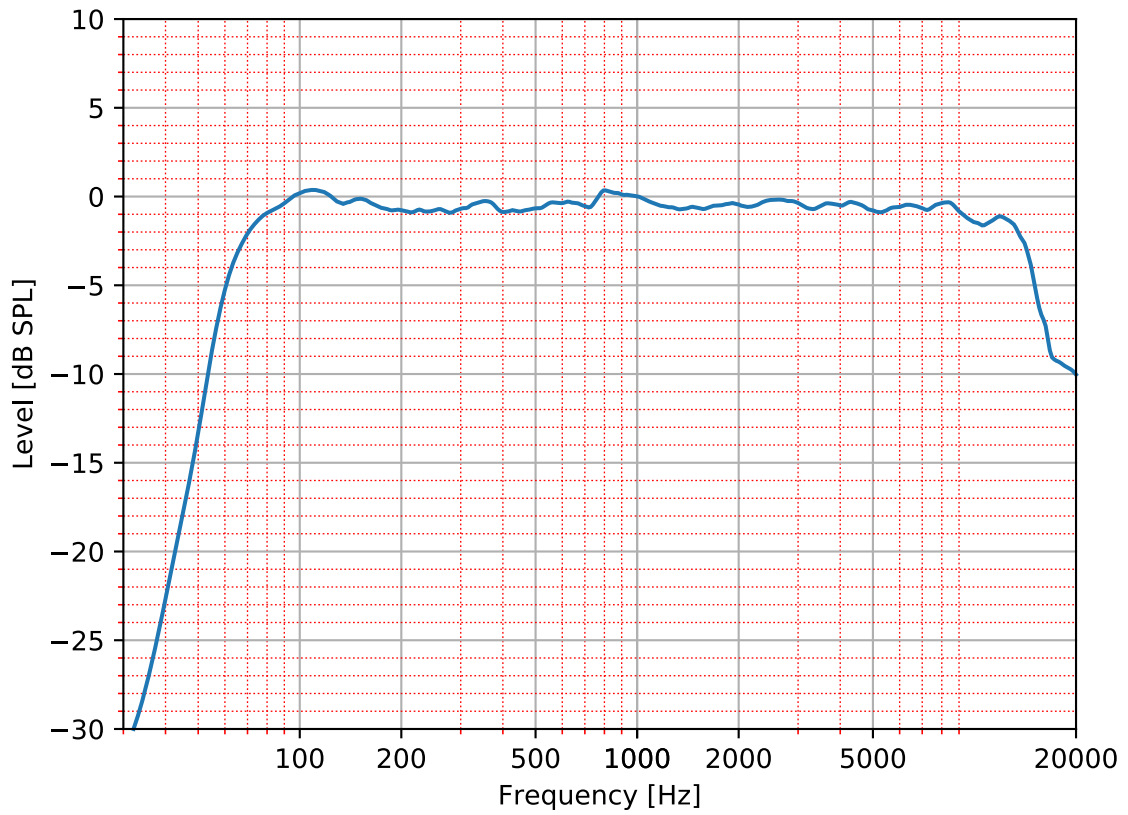


DIMENSIONS





FREQUENCY RESPONSE



EQ MODES

