



Control and Configure Beyond Plug-and-Play Connectivity

Today's growing businesses rely more on their network to carry out critical business activities. The deployment of VoIP and IP surveillance requires network intelligence to separate voice and video traffic from data and prioritize them accordingly. However, small companies may not have the resources or advanced training to deal with complex managed switches.

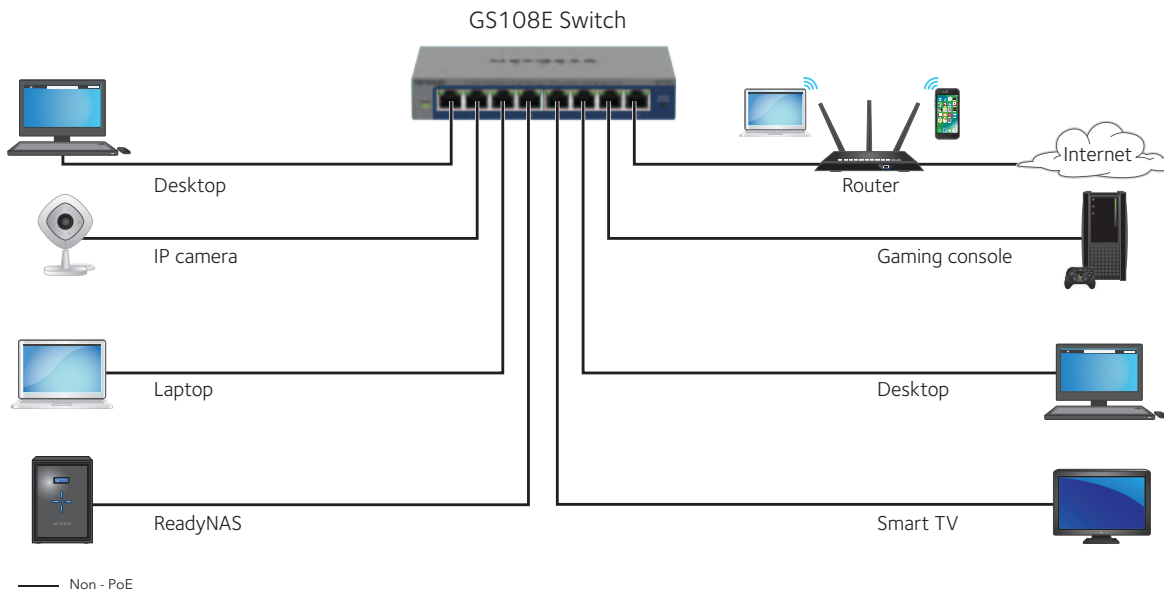
NETGEAR[®] Plus Switches meet this growing need by providing fundamental network features such as VLANs, QoS, and IGMP Snooping that will help optimize the performance of business networks. Plus Switches are the perfect upgrade from the plug-and-play unmanaged switch, delivering essential networking features at a very affordable price.

Highlights

- Enable network configuration and management at the price point of Unmanaged Switches
- Simple, yet useful network set-up on top of plug-and-play connectivity
- Flexible management via easy-to-use web browser-based management GUI or using the PC-based Utility application
- VLAN support for traffic segmentation
- Quality of Service (QoS) for traffic prioritization
- Auto "denial-of-service" (DoS) prevention
- Troubleshoot connection issues via cable test
- Loop detection and broadcast storm controls
- Rate limiting for better bandwidth allocation
- Port mirroring for network monitoring
- Jumbo frame support
- Web Interface with multiple language option¹
- Limited Lifetime* Hardware Warranty (excludes external power adapters on applicable models)
- Lifetime 24/7 Chat Technical Support*
- Next-Business-Day Hardware Replacement*

Example Application

Small Office/Home Office Network Diagram



GS100 Series Comparison

| Features | GS105E | GS108E |
|--|----------------------------|-----------------|
| Gigabit ports | 5 | 8 |
| Max MAC entries | 2K | 4K |
| Buffer Size | 128KB | 192KB |
| Energy Efficient Ethernet (IEEE 802.3az) compliant | Yes | Yes |
| Performance Specification | | |
| Forwarding modes | Store-and-forward | |
| Bandwidth | 10Gbps | 16Gbps |
| Priority queuing | Weighted Round Robin (WRR) | |
| Jumbo frame support | Up to 9K packet size | |
| Acoustic noise level @ 25° C (dBA) (ANSI-S10.12) | 0 | 0 |
| Mean Time Between Failures (MTBF) @ 25° C | 2,531,294 hours | 2,463,431 hours |
| L2 Services - VLANs | | |
| VLAN (# Supported) | 64 | 64 |
| IEEE 802.1Q VLAN Tagging | Yes | Yes |
| Port-based VLANs | Yes | Yes |
| L2 Services - Availability | | |
| Link Aggregation/Port Trunking | No | No |
| Number of Static Manual LAGs and # of members | N/A | N/A |
| L2 Services - Multicast Filtering | | |
| IGMP snooping (v1, v2, and v3) | Yes | Yes |
| Block unknown multicast | Yes | Yes |
| Supported Multicast groups | 128 | 128 |
| L3 Services - DHCP | | |
| DHCP client | Yes | Yes |
| Quality of Service | | |
| Rate Limiting | Yes | Yes |
| DSCP | Yes | Yes |
| IEEE 802.1p COS | Yes | Yes |
| Port-based VLAN | Yes | Yes |
| TOS | Yes | Yes |
| WRR (Weighted Round Robin) | Yes | Yes |
| Strict Priority Queue Technology | Yes | Yes |

GS100 Series Comparison

| IEEE Network Protocols | GS105E | GS108E |
|---|--|---|
| | IEEE 802.3 Ethernet IEEE 802.3ab 1000BASE-T IEEE 802.3u 100BASE-T IEEE 802.3ab 1000BASE-T IEEE 802.1p Class of Service IEEE 802.1Q VLAN Tagging IEEE 802.3x Full-duplex Flow Control | |
| Management | | |
| System Password | Yes | Yes |
| Web browserbased management GUI | Yes | Yes |
| PC Utility | Yes | Yes |
| Port Mirroring | Yes | Yes |
| Max number of source ports allowed (many-to-one port mirroring) | 4 | 7 |
| Many-to-one Port Mirroring | Yes | Yes |
| Cable Test Utility | Yes | Yes |
| FW Upgrade Thru Plus Utility (TFTP) | Yes | No |
| Config download (to Switch) thru Plus Utility | Yes | Yes |
| Config upload (to server) | Yes | Yes |
| LEDs | | |
| Per port | Speed, Link, Activity | |
| Per device | Power, system | |
| Power Consumption | | |
| DC Input/Power In | External (12V/0.5A) | |
| Power Consumption (Maximum) | 2.6W | |
| Heat Dissipation (Maximum and Standby) (BTU/Hr) | Max: 15.22 BTU/hr Min: 4.92 BTU/hr | Max: 8.9 BTU/hr Min: 2.2 BTU/hr |
| Physical Specifications | | |
| Dimensions (W x D x H) | 94 x 100 x 27 mm (3.7 x 3.9 x 1.1 in) | 158 x 101 x 29 mm (6.2 x 4 x 1.1 in) |
| Weight | 0.25kg | 0.5kg |

GS100 Series Comparison

| Environmental Specifications | GS105E | GS108E |
|---|--|----------------------------|
| Operating | | |
| Operating temperature | 32° to 122°F (0° to 50°C) | 32°F to 104°F (0° to 40°C) |
| Humidity (relative) | 90% maximum relative humidity (RH), non-condensing | |
| Altitude | 10,000 ft (3,000 m) maximum | |
| Storage | | |
| Storage temperature | - 4° to 158°F (-20° to 70°C) | |
| Humidity (relative) | 95% maximum relative humidity (RH), non-condensing | |
| Altitude | 10,000 ft (3,000 m) maximum | |
| Electromagnetic Emissions and Immunity | | |
| Certifications | CE mark, commercial FCC Part 15 class B ICES-003 Class B CE/EN55032/24 VCCI KC BSMI RCM | |
| Warranty and Support | | |
| All Except China | Limited Lifetime warranty | |
| Technical Support (online, phone) | 90 days free from date of purchase* | |
| ProSUPPORT OnCall 24x7 Service Plans | Category S1: PMBOS11-10000S PMBOS31-10000S PMBOS51-10000S | |

*This product comes with a limited warranty that is valid only if purchased from a NETGEAR authorized reseller, and covers unmodified hardware, fans and internal power supplies –not software or external power supplies, and requires product registration at <https://www.netgear.com/business/registration> within 90 days of purchase; see <https://www.netgear.com/about/warranty> for details. Intended for indoor use only.

† NETGEAR #1 in US Market Share according to NPD data for Unmanaged and Plus Switches, September 2019. NETGEAR #1 in Europe Market Share according to Context data for Unmanaged and Plus Switches, September 2019.

NETGEAR and the NETGEAR Logo are trademarks of NETGEAR, Inc. in the United States and/or other countries. Other brand names mentioned herein are for identification purposes only and may be trademarks of their respective holder(s). Information is subject to change without notice. ©NETGEAR, Inc. All Rights reserved.